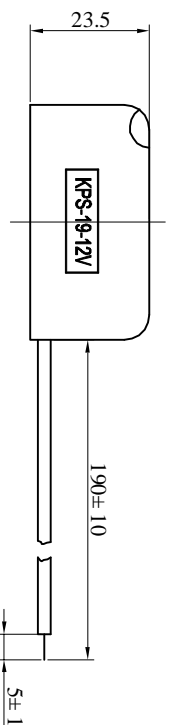
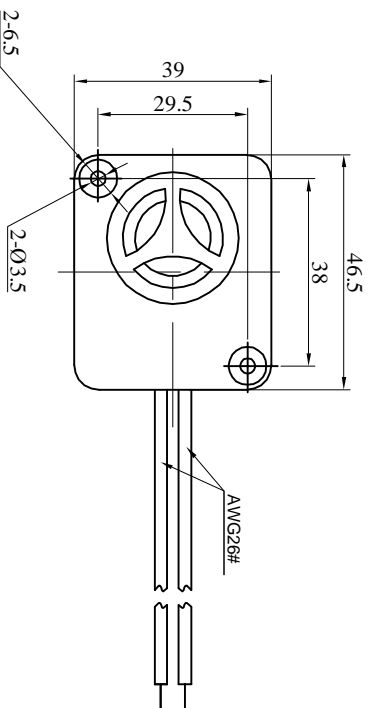


Specification

(Test Condition, 25 °C)



- 1. Rated Voltage.....12VDC
- 2. Operating Voltage.....6~15VDC
- 3. Max. Rated Current.....130mA at 12VDC
- 4. Min. Sound Pressure Level.....108dB at 12VDC/30cm
- 5. Tone Nature.....Siren
- 6. Case Material.....ABS
- 7. Operating Temperature.....-20~+60°C
- 8. Store Temperature.....-30~+70°C
- 9. Wires ConnectionRed +12V
Black GND
- 10. Weight.....35g

No.1		DESCRIPTION		APPROVED	DATE	UNIT		SCALE	
TOLERANCES/FINISH NOTED OTHERWISE		DRAWN		APPROVALS	DATE	mm		NOT TO SCALE	
XX		XXX		CHECKED		DWGNO		SHEET	
90° ANGLES ±1°		FIRST ANGLE PERSPECTIVE		APPROVED	05.12.20	OEM1983		VER 1.0	

KEPO NINGBO KEPO ELECTRONIC CO.,LTD
<http://www.chinaacoustic.com>

Piezo Siren QUARTZ-1
 KPS-19-1983

1 2 3 4 5 6 7 8